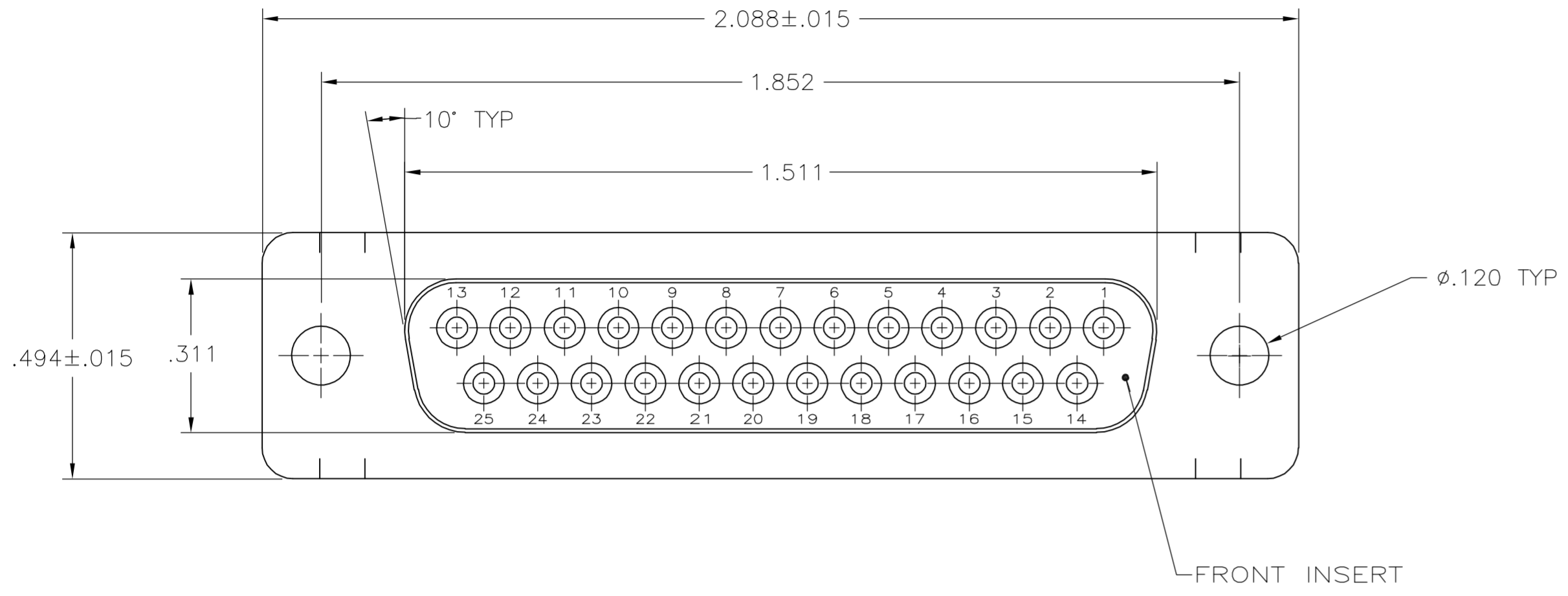
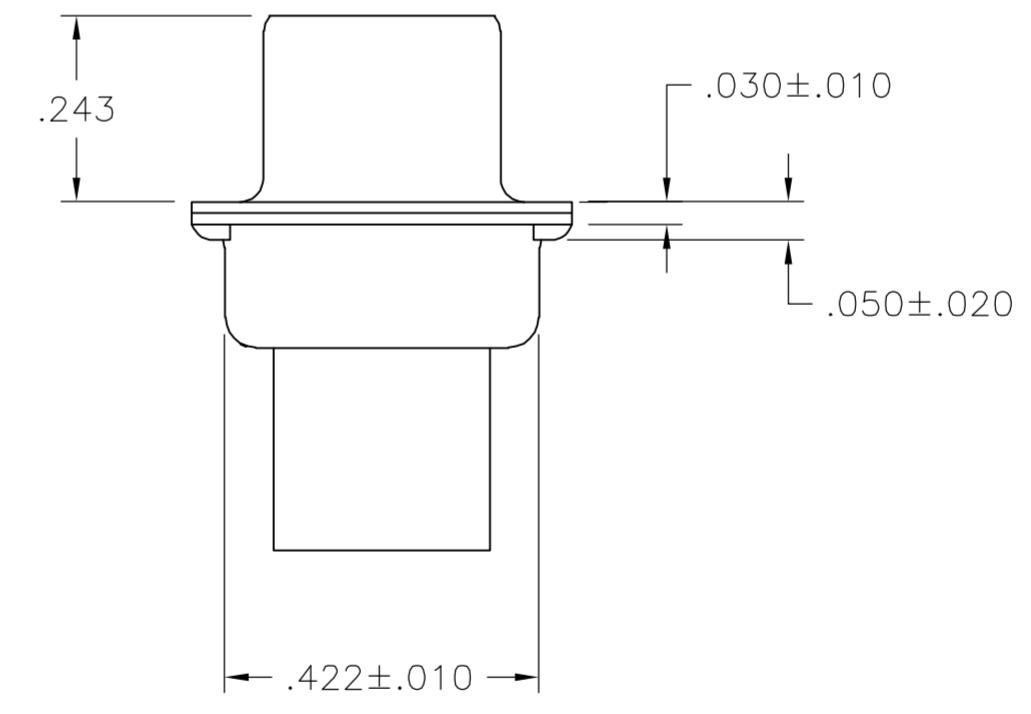
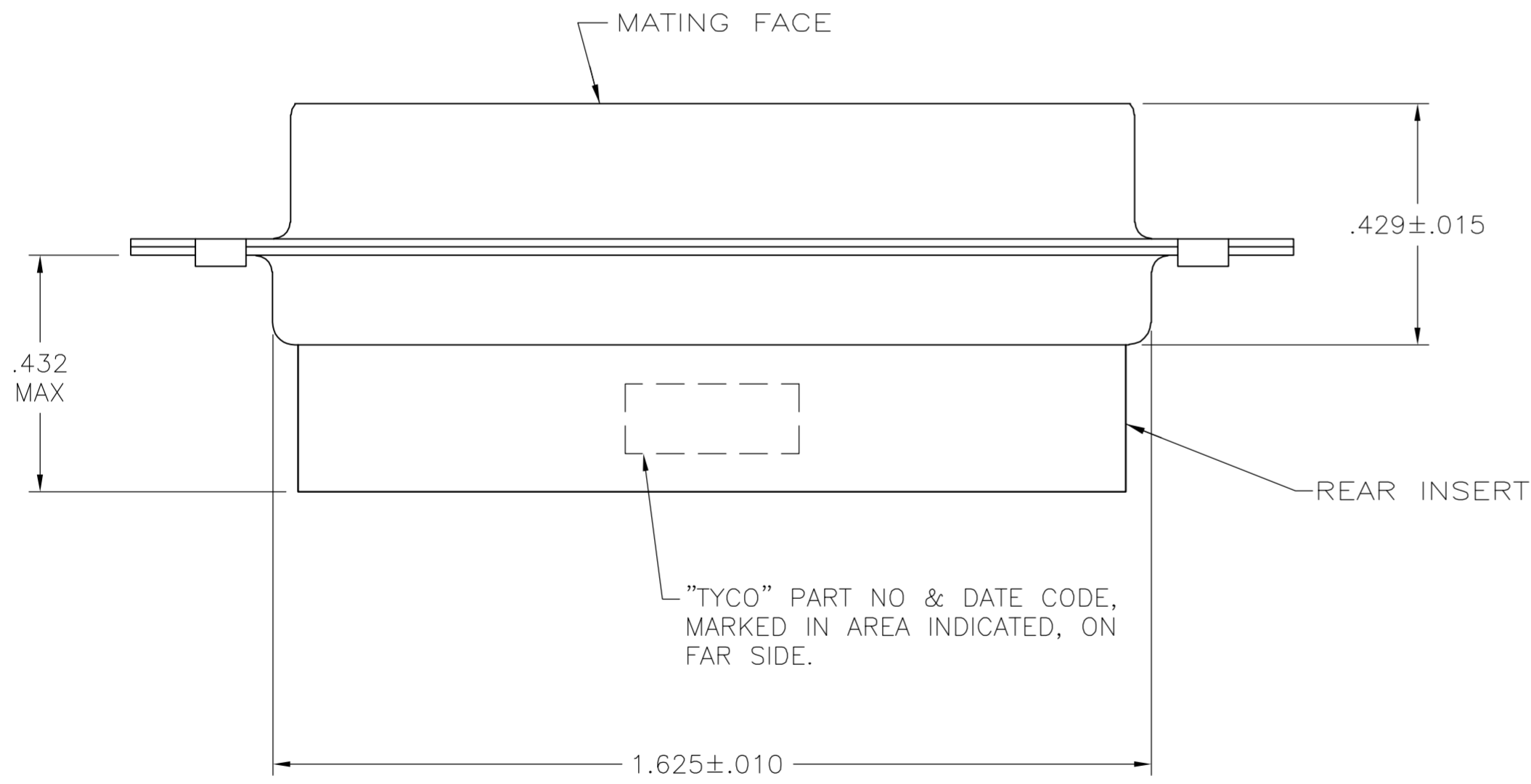


THIS DRAWING IS UNPUBLISHED. RELEASED FOR PUBLICATION  
 © COPYRIGHT BY TYCO ELECTRONICS CORPORATION. ALL RIGHTS RESERVED.

LOC		DIST		REVISIONS			
P	LTR	DESCRIPTION		DATE	DWN	APVD	
GP	00	0		RELEASED PER EC OS13-0234-05	08SEP05	BM JG	



- CONNECTOR ACCEPTS SIZE 20 DF SOCKET CONTACTS, RETENTION TINES ARE AN INTEGRAL PART OF INSERT.
  - CONNECTOR COMPLIES WITH AMP SPEC. 108-40005 WHERE APPLICABLE.
- 3 MATERIAL:  
 INSERTS: FLAME RETARDANT 94V-0 RATED GLASS FILLED NYLON,  
 COLOR: BLACK.  
 SHELLS: STEEL.
- 4 FINISH:  
 SHELLS: ZINC PLATED .000200-.000400 THICK, YELLOW CHROMATE COATING.



**COPYRIGHT 2005  
 TYCO ELECTRONICS CORP  
 ALL RIGHTS RESERVED**

THIS DRAWING IS A CONTROLLED DOCUMENT.		DWN B. MCMASTER 08SEP05	SMALL PACK 5205207-4	
DIMENSIONS: INCHES		CHK C. ROHDE 08SEP05	STANDARD 5205207-1	
TOLERANCES UNLESS OTHERWISE SPECIFIED:		APVD M. WALMSLEY 08SEP05	PACKAGING TYPE PART NUMBER	
0 PLC ± -	1 PLC ± -	PRODUCT SPEC	RECEPTACLE CONNECTOR, SIZE 3, 25 POS., AMPLIMITE HDP	
2 PLC ± -	3 PLC ± .005	APPLICATION SPEC	SIZE A2	CAGE CODE 00779
4 PLC ± -	ANGLES ± 2°	WEIGHT -	DRAWING NO C=5205207	RESTRICTED TO -
MATERIAL 3	FINISH 4	CUSTOMER DRAWING	SCALE NTS	SHEET 1 OF 1
				REV 0